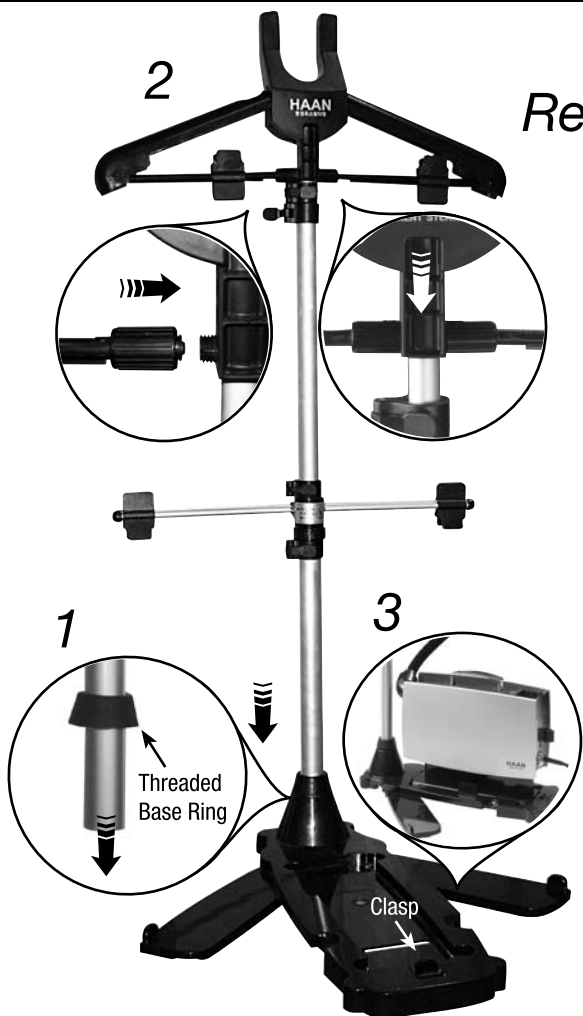


QUICK REFERENCE GUIDE

to Assemble the **HAAN STEAM STATION™**

1 ➡ 2 ➡ 3
Ready to Steam



Assembling Deluxe Garment Valet:

- 1 Insert the widest end of the telescoping pole into the base and tighten.
- 2 Insert the hanger assembly to pole top and press down until it is stable. The crossbar on the hanger locks into place at the center. Screw the tight to lock.
- 3 The base of the canister and the floor base fit together like pieces of a puzzle. Snap the Steam Canister into the valet base by pulling the small black clasp back and then placing the unit into the clearly designated slot. Release the clasp and the canister is locked in place. Pull "wings" out for stability.



For details refer to instruction manual. Be sure to read **ALL** instructions and warnings **before** using your HAAN Garment Steamer.



Add water to the tank.



Plug it in and turn it on. Wait 40 seconds for the unit to heat up.



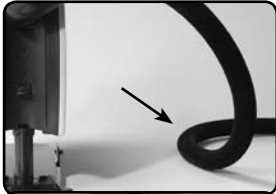
Steam your garments with an up and down motion.

QUESTIONS? CALL OUR CUSTOMER CARE CENTER:
1-877-HAAN-DIRECT (1-877-422-6347)

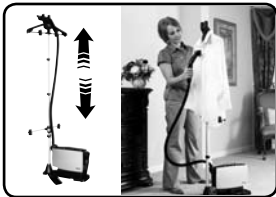
HAAN STEAM STATION™

Troubleshooting Tip Sheet

If you experience either of these small problems, please try these simple solutions before contacting our Customer Service Center.



Try and keep hose from being curled or bent for any extended period of time.



Periodically straighten the hose during use.



Grab the hose, squeeze gently and hold for a second. Release.



PROBLEM: Water Refill Light illuminates shortly after filling tank.

This is no cause for alarm. Try this:

- 1) Continue using the **STEAM STATION™** for about 5 minutes and the light should turn off by itself.
- 2) If this does not solve the problem, it may be happening because the hose has been curled or bent for several minutes while in use. Try extending the hose to straighten it and then continuing use.



PROBLEM: The **STEAM STATION™** emits a loud gurling noise while in use.

Try this:

- 1) Grab onto the middle of the hose, hold for a second and then let go. The noise should be reduced.
- 2) Also, by straightening the hose every few minutes during use, you will greatly reduce any noise.

If either of these problems persist, contact the **HAAN** Customer Care Center.



HAAN STEAM STATION™ TIP:

- The included Fill Cup provides 2 cups(500cc) of water, which will allow continuous use of the **STEAM STATION™** for about 15-20 minutes.
- Using tepid water can reduce the waiting time for steam production.
- We recommend the use of distilled water to maintain optimum functionality and extend the life of your appliance, tap water can be used in the Steam Station™. See manual for more information.



Additional troubleshooting and helpful tips can be found in the instruction manual. Be sure to read **ALL** instructions and warnings before using your **HAAN STEAM STATION™**.